



MUSIC SOUNDS BETTER WITH US

פתרונות צביעה ייחודיים
לפרויקטים והתקנות קבע
של רמקולים
תוצרת L-ACOUSTICS
מסימניית RAL
לתכנון המושלם



MADE IN FRANCE



WHITE AND RAL PROGRAMS

FEATURE OVERVIEW

April 2021

INTRODUCTION

Sound reinforcement installation projects may require enclosures to remain as discreet as possible in order to blend into the architecture of a venue. To meet these visual requirements, L-Acoustics offers the possibility to order speakers in WHITE or in special colors following the RAL CLASSIC chart.

WHITE PROGRAM



The L-Acoustics references covered by the WHITE program are identified in the L-Acoustics price list with the W suffix. This suffix can be found for both WHITE enclosures and their compatible WHITE rigging accessories. The WHITE color corresponds to the Pure White, RAL 9010. WHITE products are typically available three months after the first serial production batch.










RAL PROGRAM



The L-Acoustics references covered in the RAL program are identified in the L-Acoustics price list with the RAL suffix. This suffix can be found for both RAL enclosures and their compatible RAL rigging accessories. RAL products are typically available three months after the first serial production batch.

RAL CLASSIC

RAL (Reichsausschuß FÜR Lieferbedingungen) is a standard color chart codification. There are several RAL color charts. The RAL CLASSIC, considered to be the standard architectural color system, contains 213 references. Each color is identified by a four digit number. The first RAL digit relates to the shade of the color:

	RAL 1000 to 1099	YELLOW
	RAL 2000 to 2099	ORANGE
	RAL 3000 to 3099	RED
	RAL 4000 to 4099	PURPLE
	RAL 5000 to 5099	BLUE
	RAL 6000 to 6099	GREEN
	RAL 7000 to 7099	GREY
	RAL 8000 to 8099	BROWN
	RAL 9000 to 9099	BLACK/WHITE

L-Acoustics uses the 213 colors of the RAL CLASSIC color chart and orders shall be made using the four-digit RAL code. L-Acoustics does not use the RAL DESIGN color chart which contain 1,625 colors and uses a seven-digit code, referring to color by both hue and brightness.

L-Acoustics uses satin finish with gloss from 10 to 35 GU depending on the surface material.



FINISHED PARTS AND NON-FINISHED PARTS

Although L-Acoustics strives to paint as many parts as possible in White or RAL color, some cannot be for various technical reasons and therefore remain in their standard color. The following images illustrate the parts of the enclosure and accessories that are painted and those that are not.

The following elements are painted in White or RAL colors:

- Cabinetry
- Air net and front grill
- L-Fins
- Non-movable steel

The following elements are not painted in White or RAL colors:

- L-Acoustics Logo : black and gold
- Bolts and screws : black or stainless finish based on best possible harmony
- Locking knob: black or white based on best possible harmony
- Connector panel: black
- Risers, non-skid inserts or pads: black
- Seal : black or white based on best possible harmony
- Ball locking pins: black and stainless finish

CASE OF X15 HIQ

There is no WHITE standard reference for X15 HiQ. For X15 HiQ in white, order X15 HiQ RAL with RAL reference 9010.

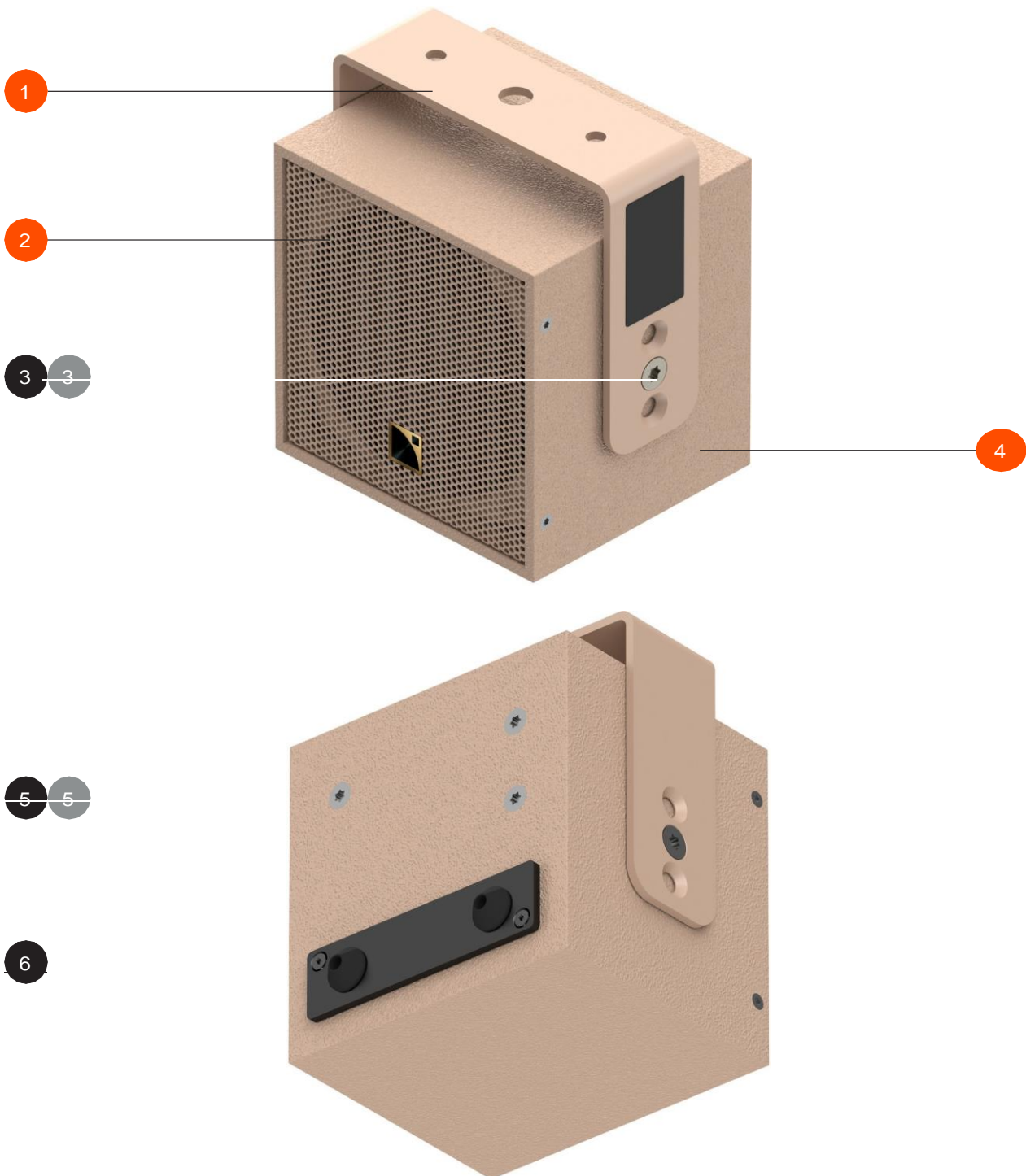
CASE OF P SERIES

P Series products – 108P, 112P and SB15P – are available in WHITE program only.

CONTENT

X SERIES - X4i	3
X SERIES - 5XT	4
SUB SERIES - SB10i	5
X SERIES - X8	6
X SERIES - X12 / X15 HiQ	7
X SERIES - Accessories	8
P SERIES - 108P	9
P SERIES - 112P	10
P SERIES - SB15P	11
S SERIES - Syva / Syva Low / Syva Sub	12
S SERIES - Accessories	13
A SERIES - A15i / KS21i	14
A SERIES - A10i	15
K SERIES - Kiva II	16
K SERIES - SB15m	17
K SERIES - KARA Ili / SB18 Ili	18
K SERIES - K3i	20

X SERIES - X4i

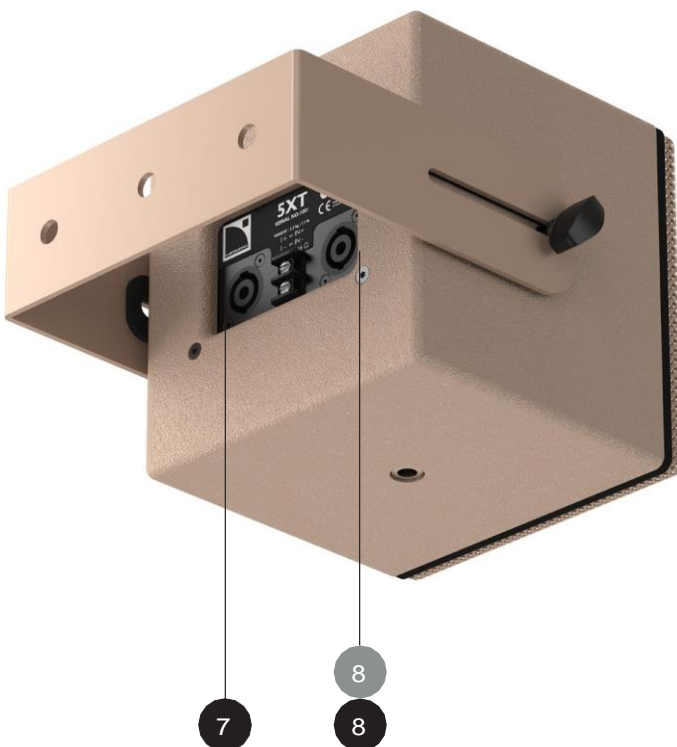
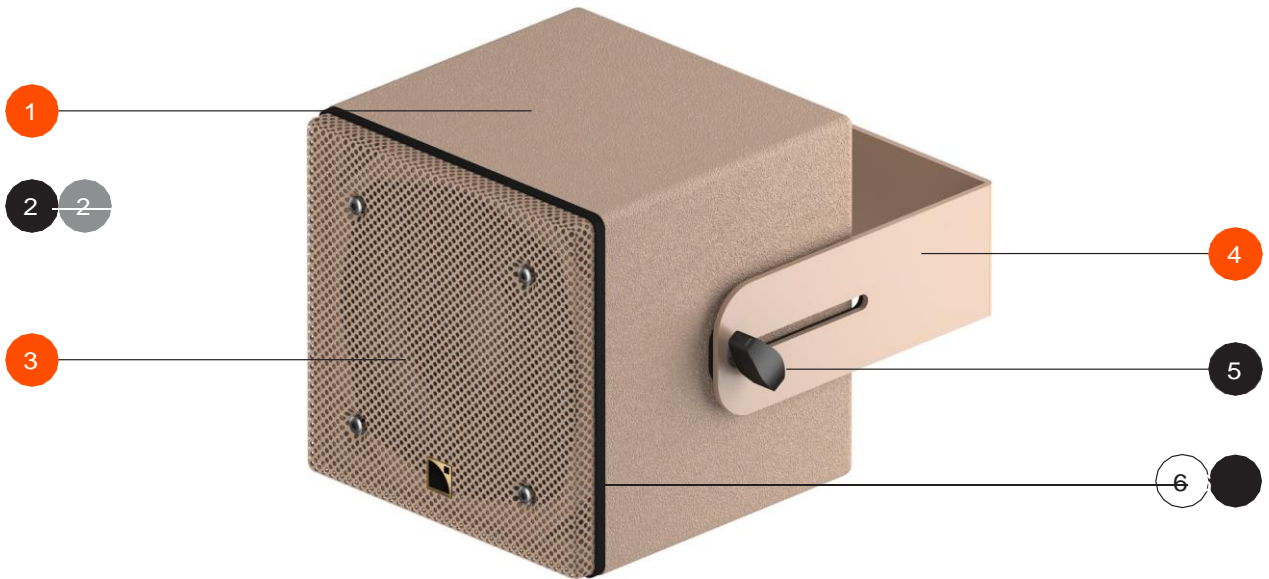


- 1 X-U4i
- 2 X4i grill
- 3 X-U4i linkingscrews
- 4 X4i enclosure
- 5 X4i screws

- 6 Connector panel and connector sealing plate

- WHITE OR RAL CLASSIC ●
- WHITE
- BLACK
- STAINLESS

X SERIES - 5XT



- 1 5XT enclosure
- 2 5XT grill screws
- 3 5XT grill
- 4 ETR5
- 5 ETR5 polelocking knobs

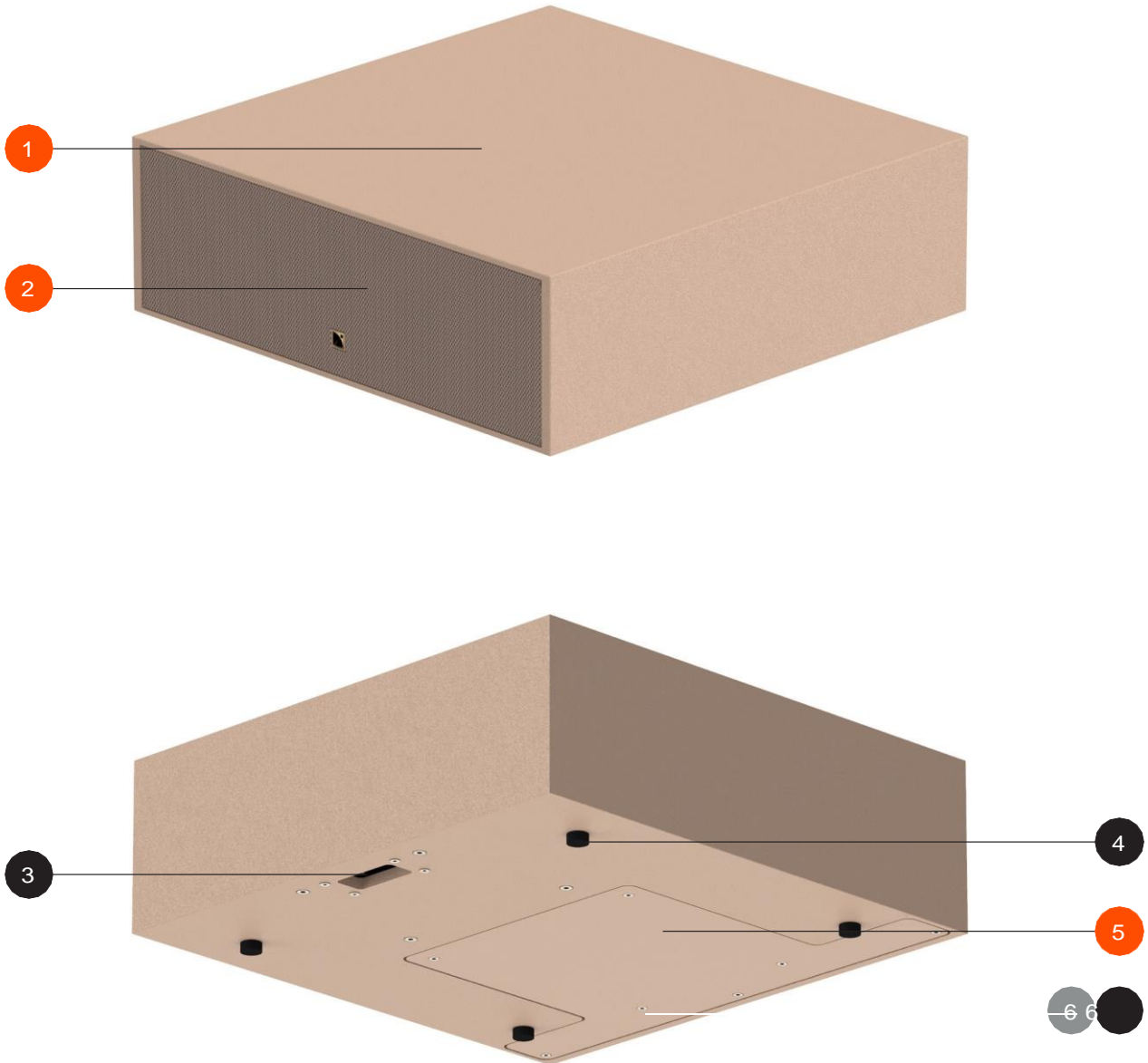
- 6 5XT grill seal
- 7 5XT connector panel
- 8 5XT screws
- 9 5XT-SEALPLATE cablepass-through

- 10 5XT-SEALPLATE
- 11 5XT-SEALPLATE screws
- 12 5XT mic stand insert
- 13 5XT inserts

- WHITE OR RAL CLASSIC ●
- WHITE ○
- BLACK ●
- STAINLESS ●



SUB SERIES - SB10i

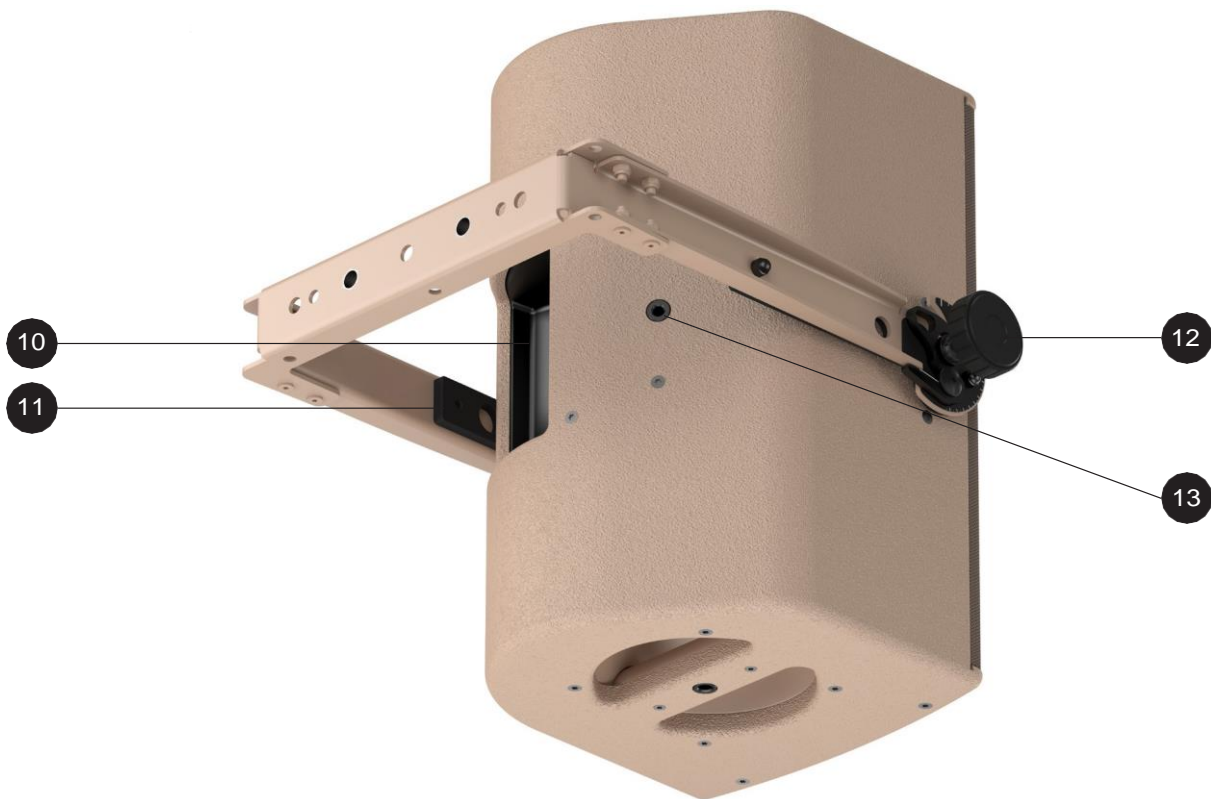
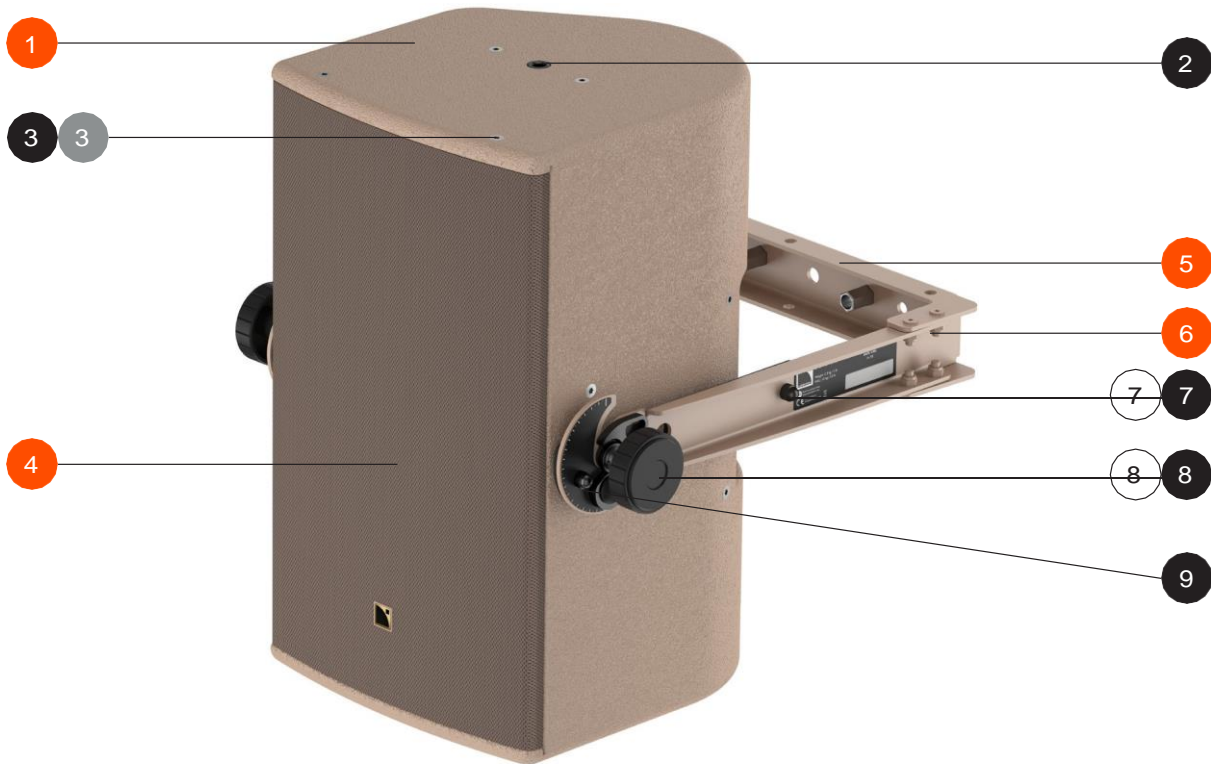


- 1 SB10i enclosure
- 2 SB10i grill
- 3 SB10i connector panel
- 4 SB10i rubber pads
- 5 SB10i rear plate

- 6 5XT screws

- WHITE OR RAL CLASSIC ●
- WHITE ○
- BLACK ●
- STAINLESS ●

X SERIES - X8

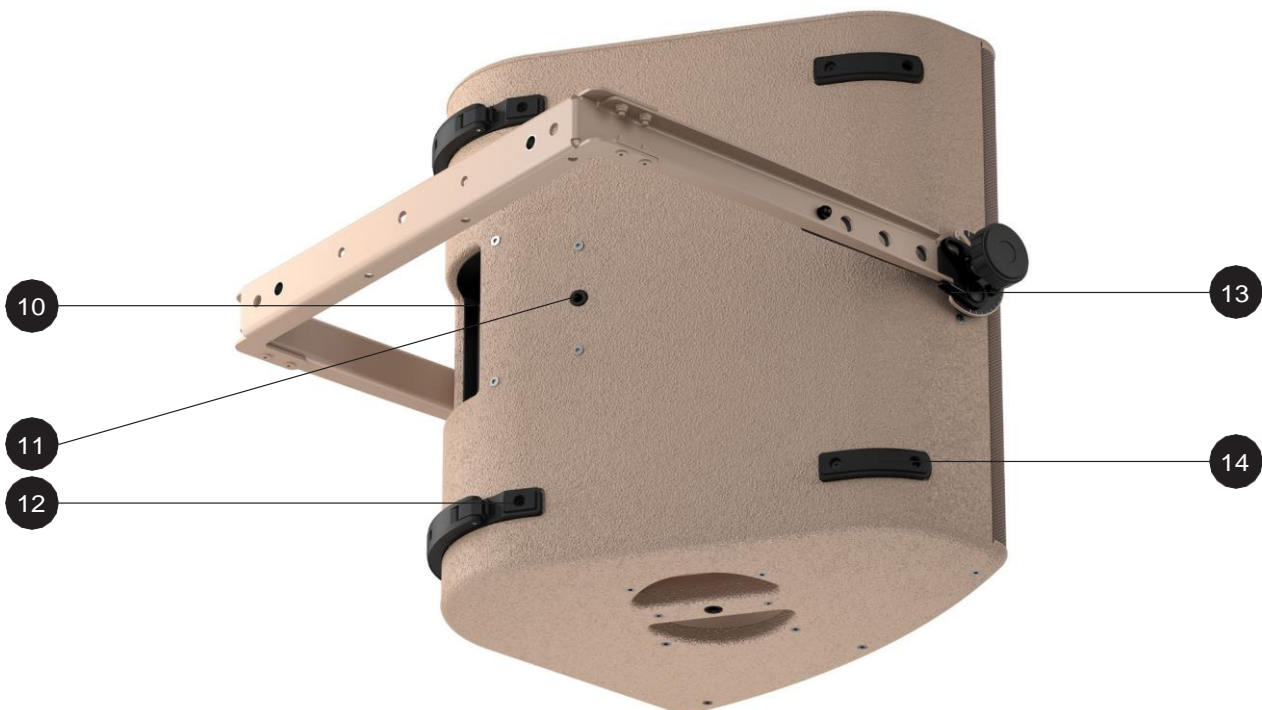
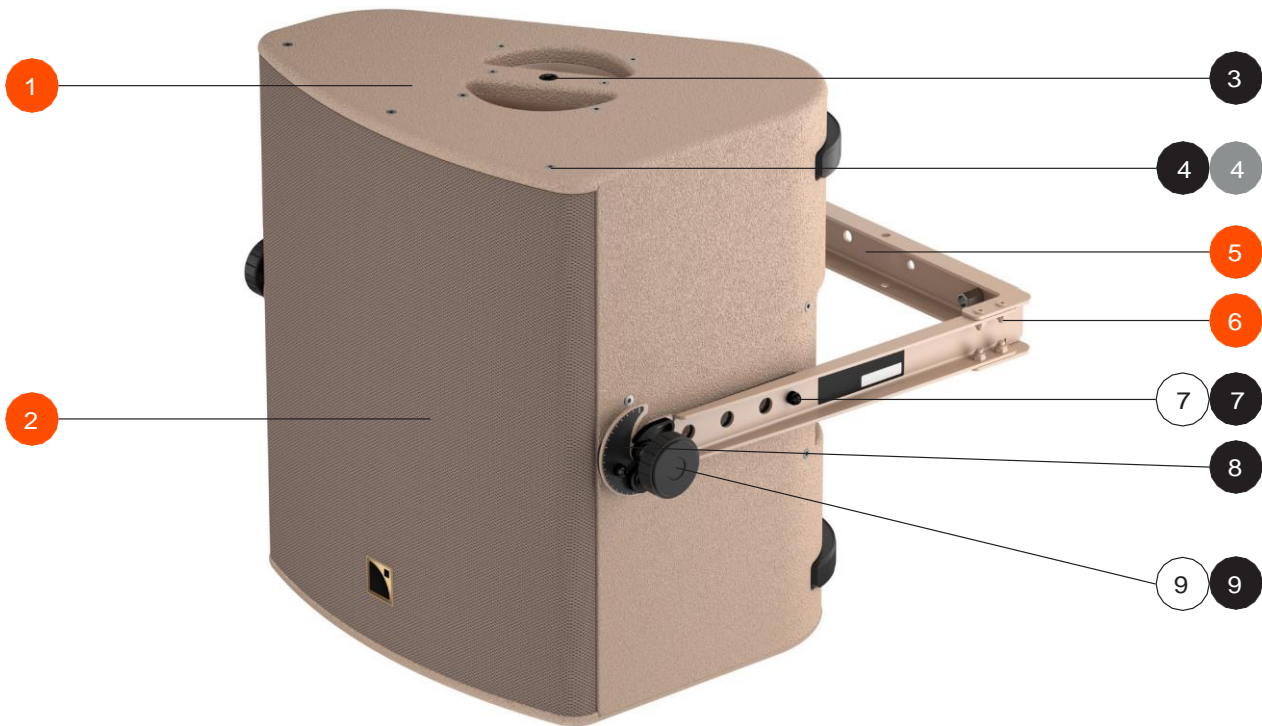


- 1 X8 enclosure
- 2 X-UL8 mounting insert
- 3 X8 screws
- 4 X8 Air net + grill
- 5 X-US8
- 6 X-US8 screws
- 7 X-US8 nut cover

- 8 X-US8 locking knob
- 9 X-US8 tilt angle selector
- 10 X8 connector panel
- 11 X8 wear proof rubber pads
- 12 X-US8 knob spring locker
- 13 X-BAR mounting insert

- WHITE OR RAL CLASSIC ●
- WHITE
- BLACK
- STAINLESS

X SERIES - X12 / X15 HiQ



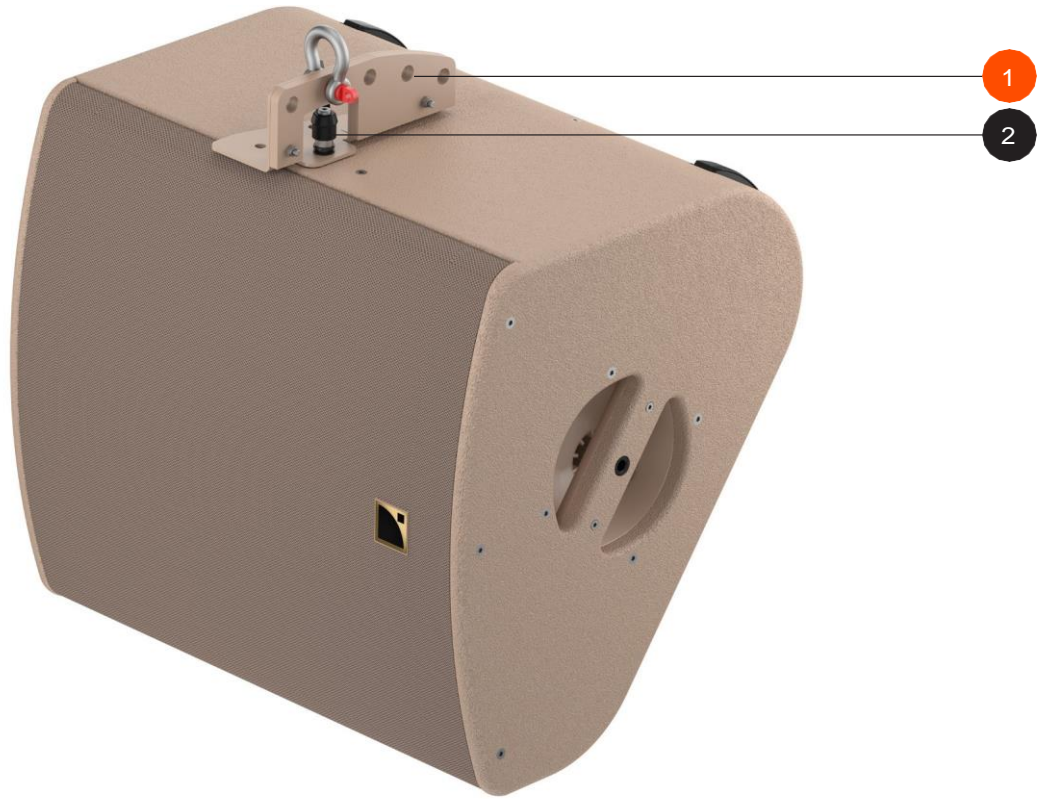
- 1 X12 enclosure
- 2 X12 Air net + grill
- 3 X-UL12 mounting insert
- 4 X12 screws
- 5 X-US1215
- 6 X-US1215 screws
- 7 X-US1215 nut cover

- 8 X-US1215 tilt angle selector
- 9 X-US1215 locking knob
- 10 X12 Connector panel
- 11 X-BAR mounting insert
- 12 X12 wear proof rubber pads
- 13 X-US1215 knob springlocker
- 14 X12 risers





- WHITE OR RAL CLASSIC ●
- WHITE
- BLACK
- STAINLESS



X SERIES - Accessories

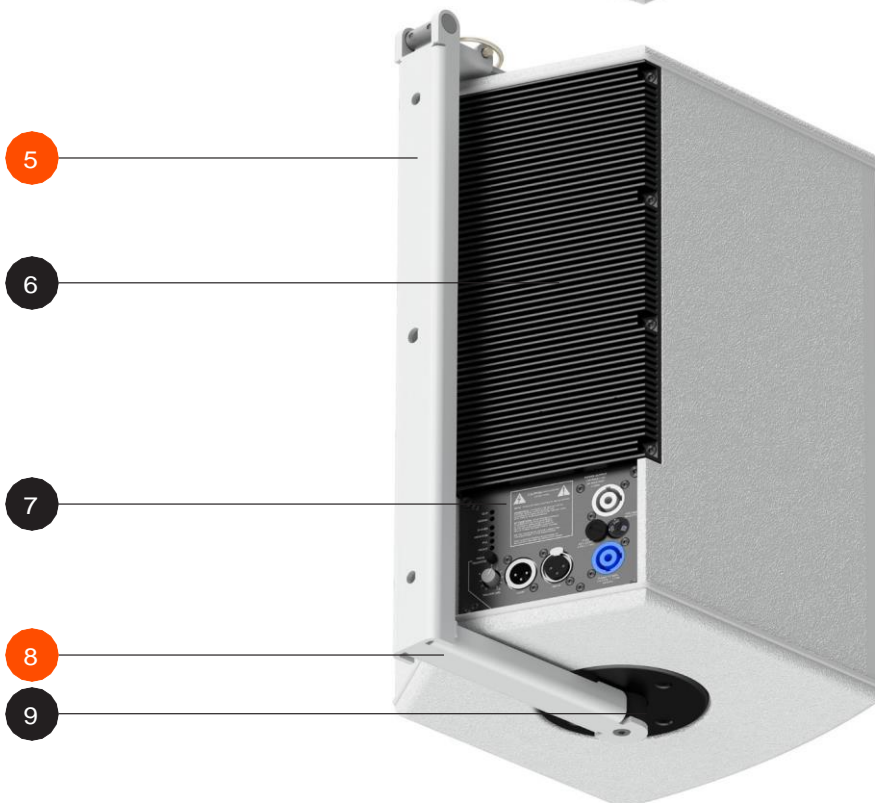
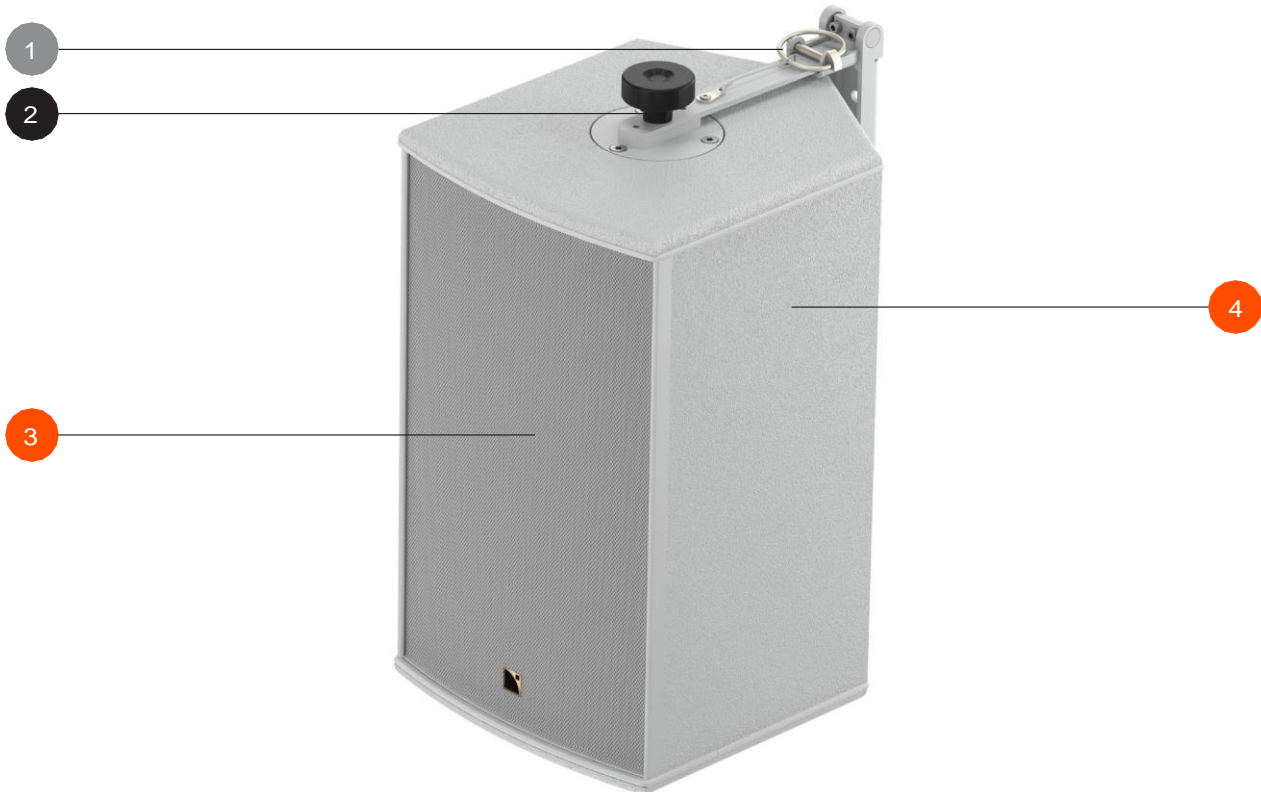


- 1 X-BAR
- 2 X-BAR locking lever

- WHITE OR RAL CLASSIC 
- WHITE 
- BLACK 
- STAINLESS 



P SERIES - 108P

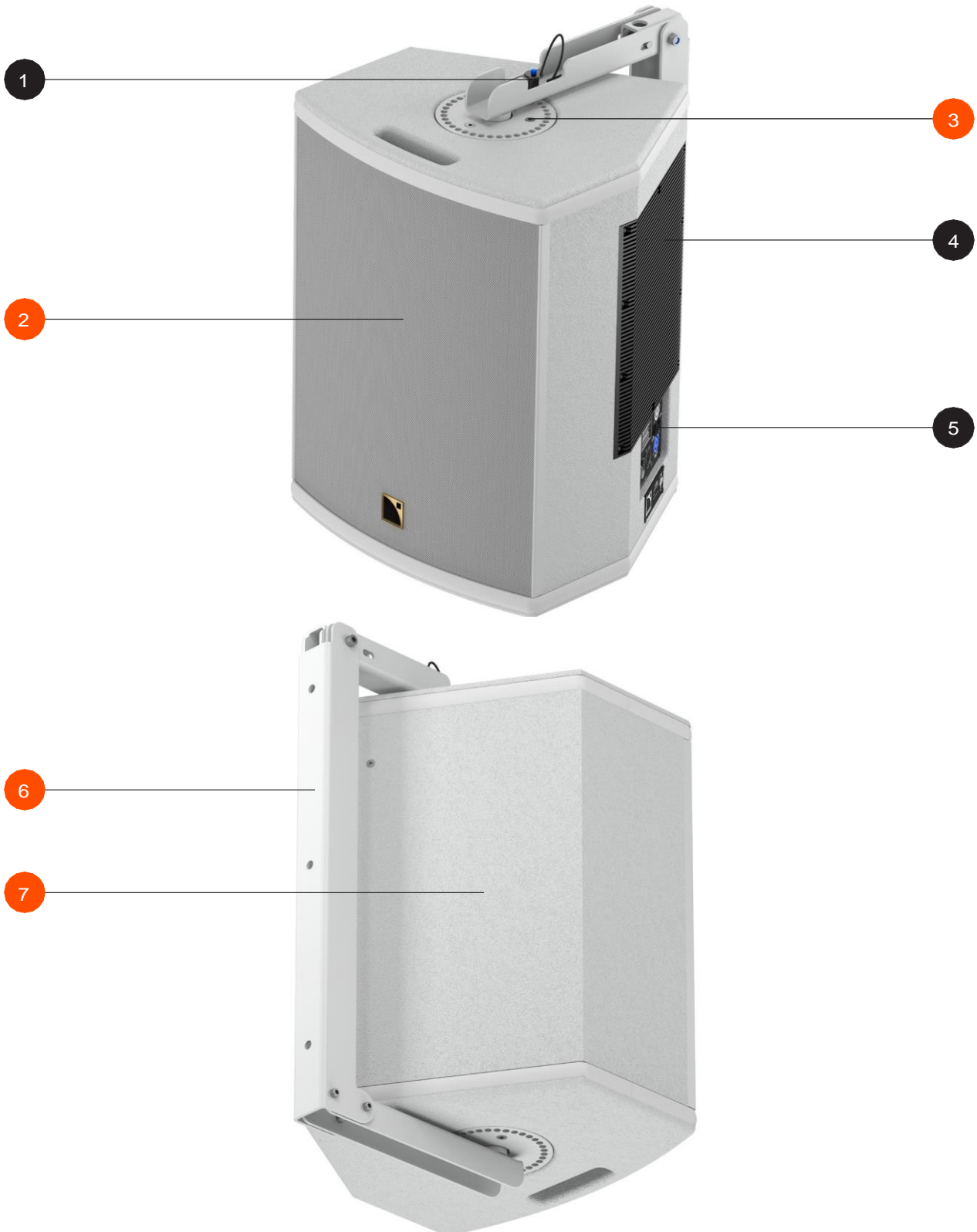


- 1 ETR8-2 safety pin
- 2 ETR8-2 knob
- 3 108P Air net + grill
- 4 108P enclosure
- 5 ETR8-2

- 6 108P radiator
- 7 Connector panel and preset selector
- 8 ETR8-2 fixed arm
- 9 108P bottom base plate

- RAL 9010 PURE WHITE ●
- WHITE ○
- BLACK ●
- STAINLESS ●

P SERIES - 112P

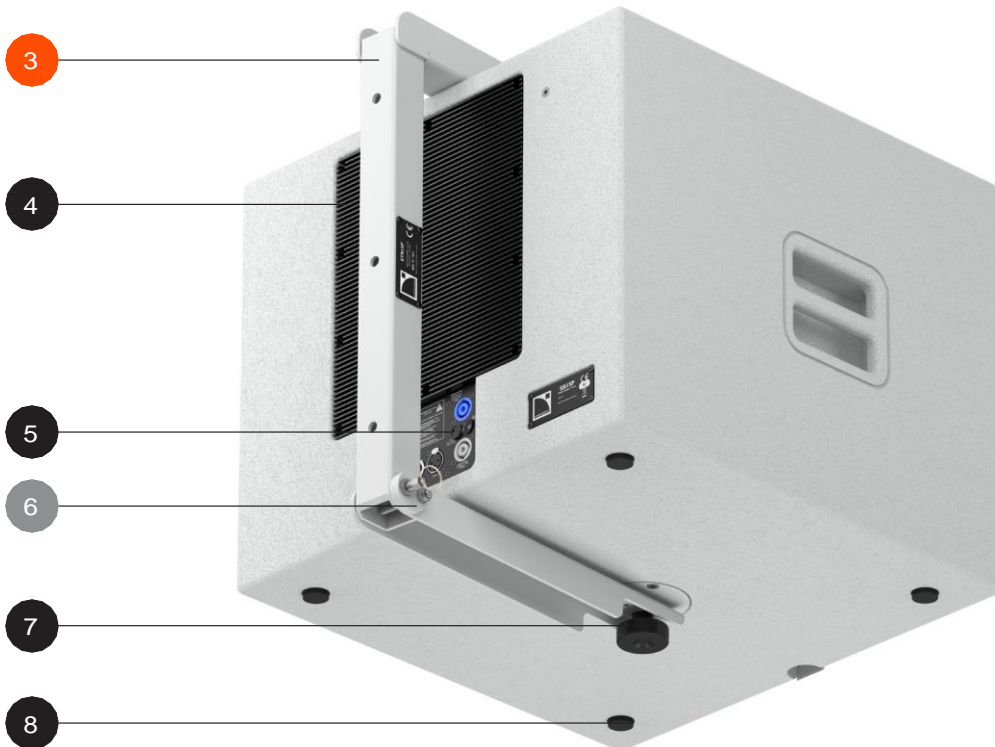
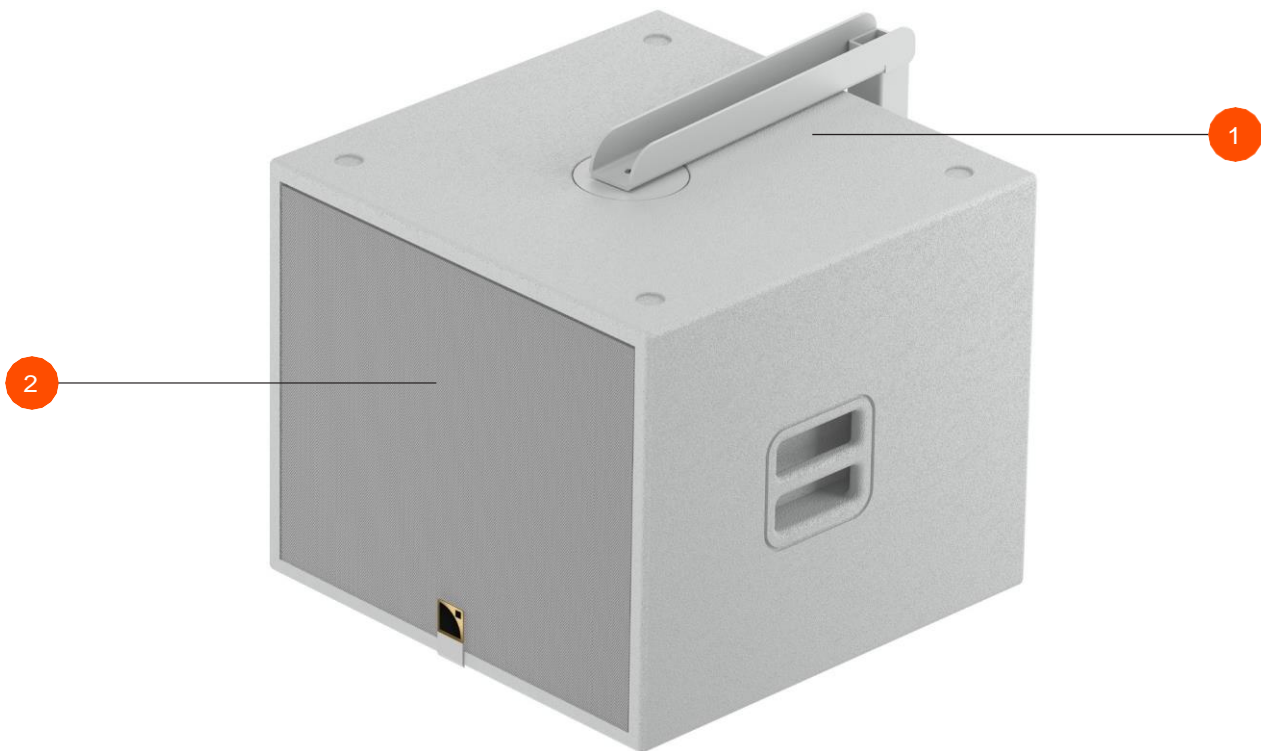


- 1 ETR12-2 ball locking pin
- 2 112P Air net + grill
- 3 112P stud
- 4 112P radiator
- 5 Connector panel and preset selector

- 6 ETR12-2
- 7 112P enclosure

- RAL 9010 PURE WHITE ●
- WHITE ○
- BLACK ●
- STAINLESS ●

P SERIES - SB15P

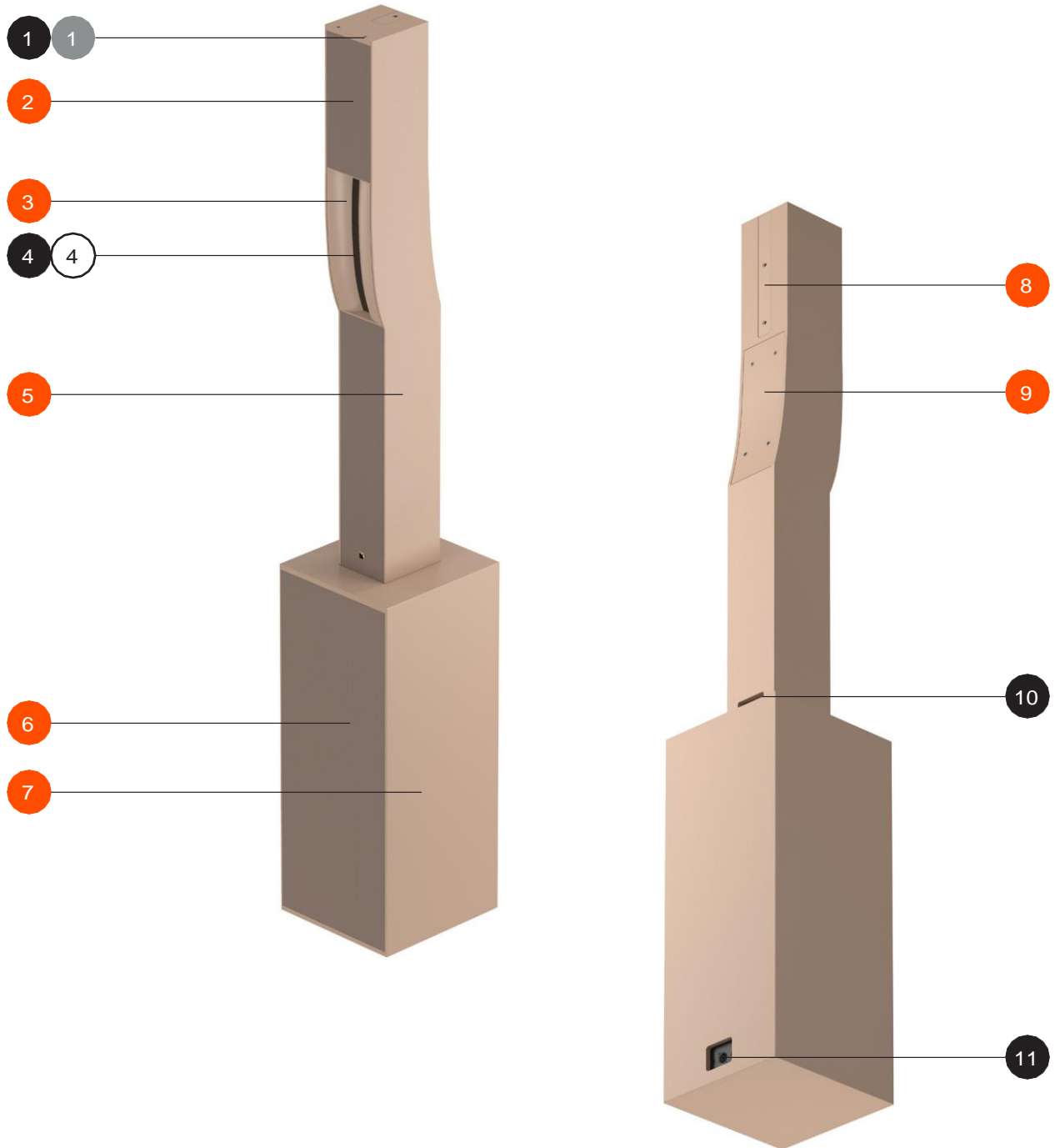


- | | |
|---------------------------------------|------------------------------|
| 1 SB15P enclosure | 6 ETR15 spring loaded safety |
| 2 SB15P Air net + grill | 7 ETR15 knob |
| 3 ETR15 | 8 SB15P rubber Pad |
| 4 SB15P radiator | |
| 5 Connector panel and preset selector | |

- RAL 9010 PURE WHITE ●
- WHITE ○
- BLACK ●
- STAINLESS ●



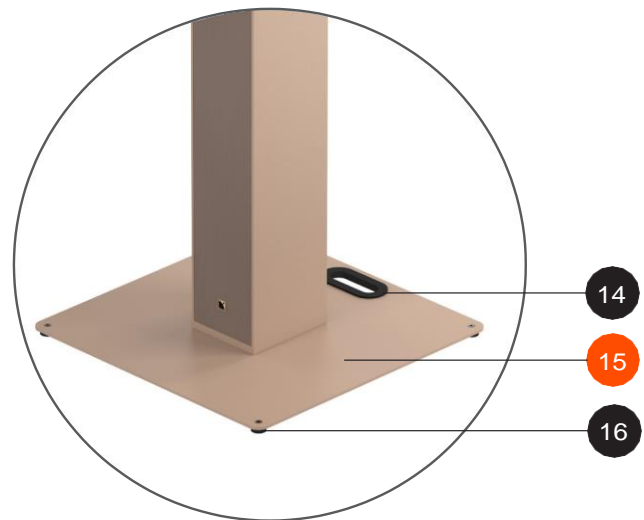
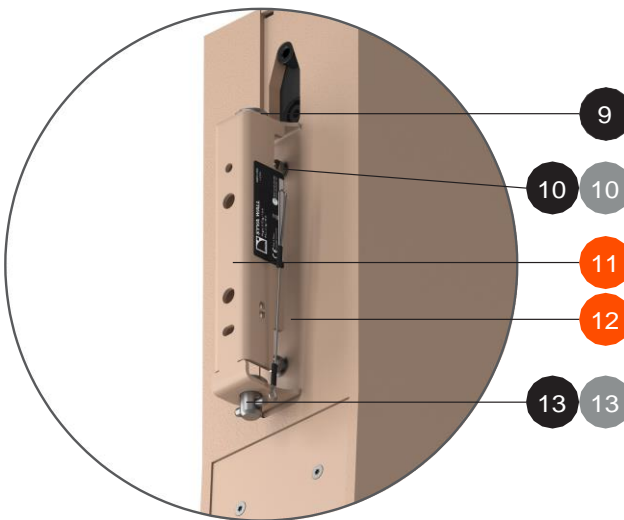
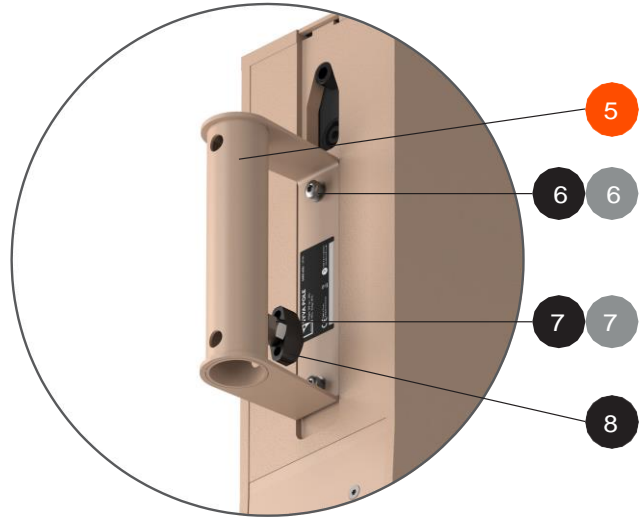
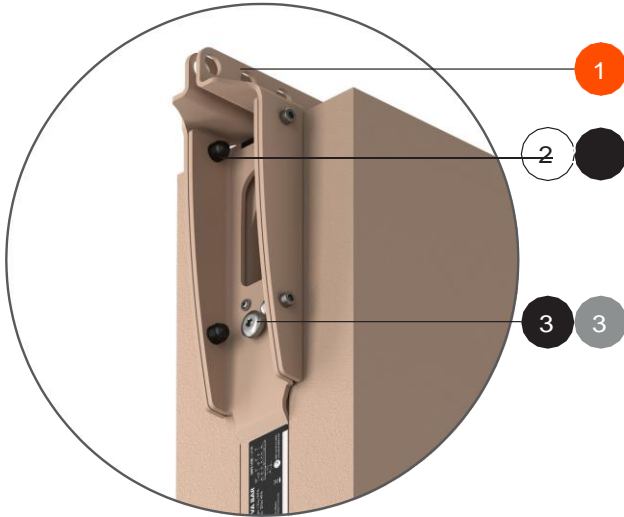
S SERIES - Syva / Syva Low / Syva Sub



- 1 Syva screws
- 2 Syva MF Air net + grill
- 3 Syva HF L-Fins
- 4 Syva HF Air net
- 5 Syva enclosure
- 6 Syva Low/Sub Air net
- 7 Syva Low/Sub enclosure
- 8 Syva backplate
- 9 Syva trapdoor
- 10 Syva connector panel
- 11 Syva Low/Sub connector panel

- WHITE OR RAL CLASSIC ●
- WHITE ○
- BLACK ●
- STAINLESS ●

S SERIES - Accessories



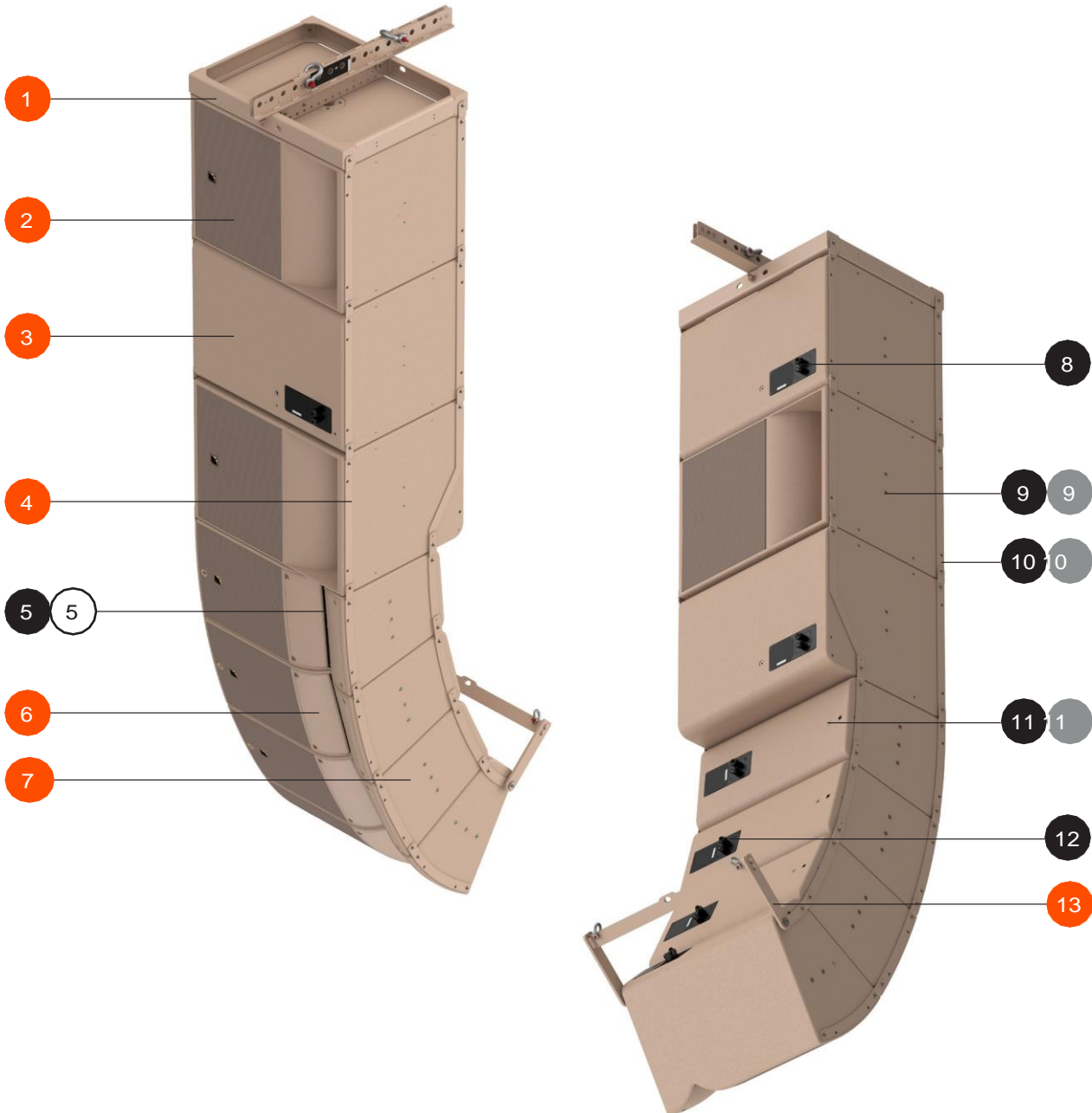
- 1 SYVA BAR
- 2 SYVA BAR nut cover
- 3 SYVA BAR linking screws
- 4 SYVA BAR label
- 5 SYVA POLE
- 6 SYVA POLE linking screws

- 7 SYVA POLE locking nut
- 8 SYVA POLE locking knob
- 9 SYVA POLE angle selector
- 10 SYVA WALL linking screws
- 11 SYVA WALL base
- 12 SYVA WALL bracket

- 13 SYVA WALL safety pin
- 14 SYVA BASE
- 15 SYVA BASE handle
- 16 SYVA BASE rubber pads

- WHITE OR RAL CLASSIC ●
- WHITE ○
- BLACK ●
- STAINLESS ●

A SERIES - A15i / KS21i

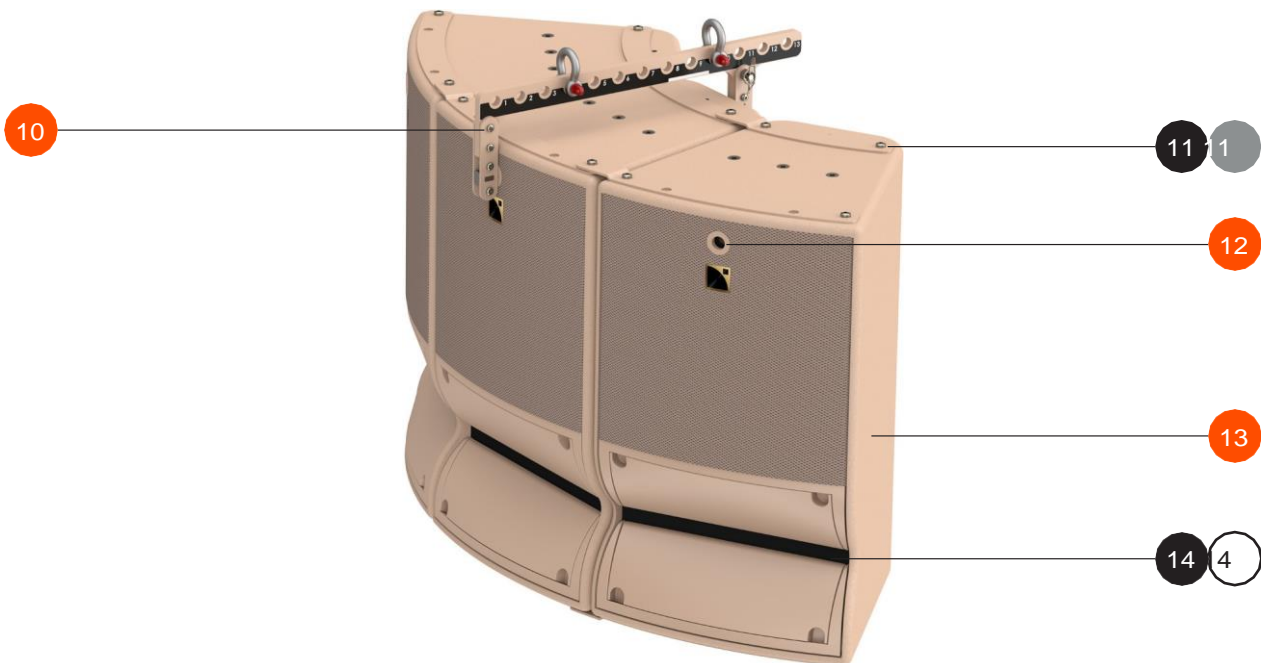
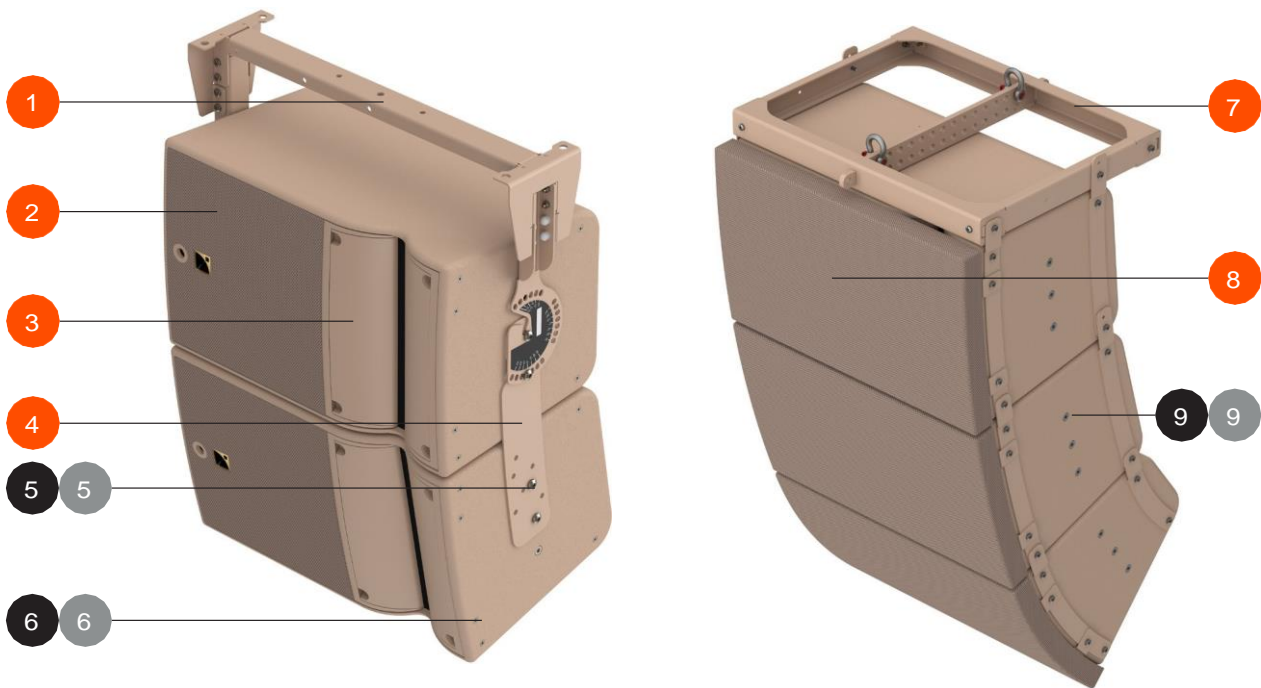


- 1 A15i-BUMP
- 2 KS21i Air net + grill
- 3 KS21i enclosure
- 4 KS21i and A15i links
- 5 A15i HF Air Net
- 6 A15i Panflex
- 7 A15i enclosure

- 8 KS21i connector plate
- 9 KS21i inserts
- 10 Links screws
- 11 A15i safety insert
- 12 A15i connector plate
- 13 A15i-RIGBAR

- WHITE OR RAL CLASSIC ●
- WHITE ○
- BLACK ●
- STAINLESS ●

A SERIES - A10i

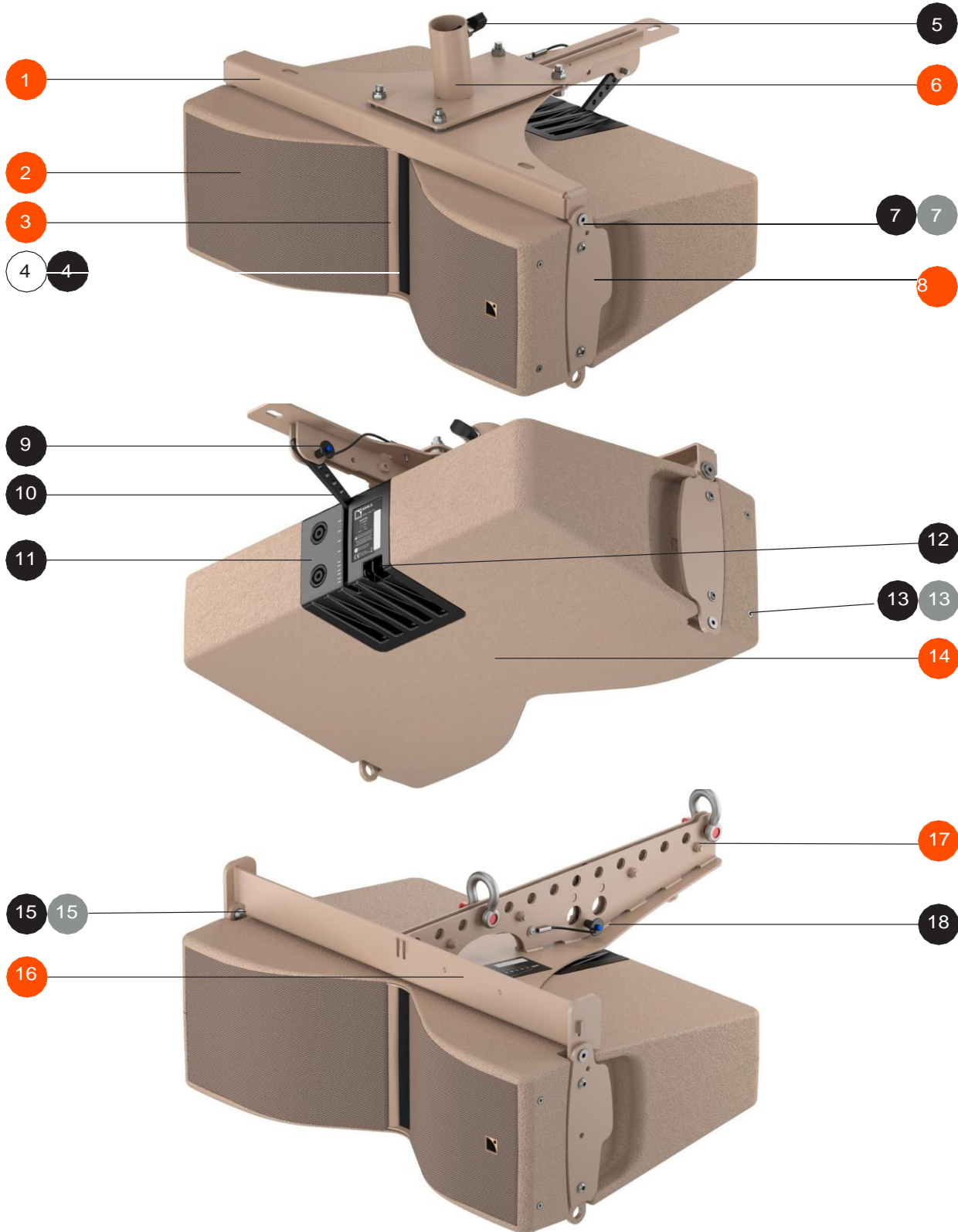


- 1 A-U10i
- 2 A10i Airnet + grill
- 3 A10i Panflex
- 4 A-U10i links
- 5 A-U10iscrews
- 6 A10i inserts
- 7 A10i-BUMP

- 8 A10i Acoustically transparant screen
- 9 A10i inserts
- 10 A10i-LIFT
- 11 Links screws
- 12 A10i-LIFT lodging
- 13 A10i enclosure
- 14 A10i HF Air Net

- WHITE OR RAL CLASSIC ●
- WHITE ○
- BLACK ●
- STAINLESS ●

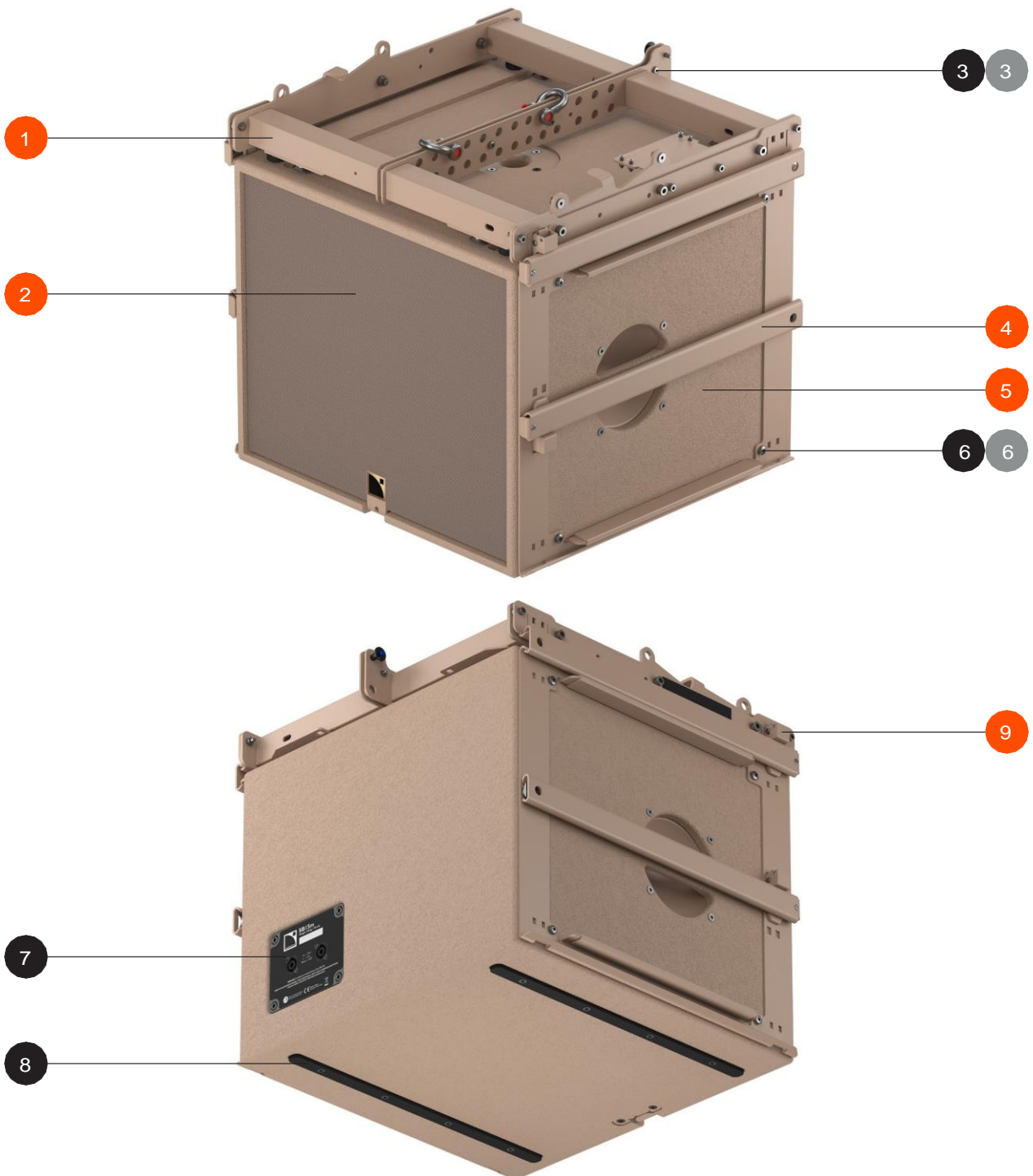
K SERIES - Kiva II



- | | | |
|--------------------------------|------------------------------|---------------------------------|
| 1 KIET II | 8 Kiva II handles | 15 KIBU II front linking points |
| 2 Kiva II MF Air net + grill | 9 KIET II ball locking pin | 16 KIBU II |
| 3 Kiva HF L-Fins | 10 Kiva II rigging arm | 17 KIBU II screws |
| 4 Kiva II HF Air net | 11 Kiva II Connector panel | 18 KIBU II ball locking pin |
| 5 KIET II pole locking knob | 12 Kiva II spring loaded pin | |
| 6 KIET II pole mounting insert | 13 Kiva II enclosure screws | |
| 7 Kiva II linking pin | 14 Kiva II enclosure | |

- WHITE OR RAL CLASSIC ●
- WHITE ○
- BLACK ●
- STAINLESS ●

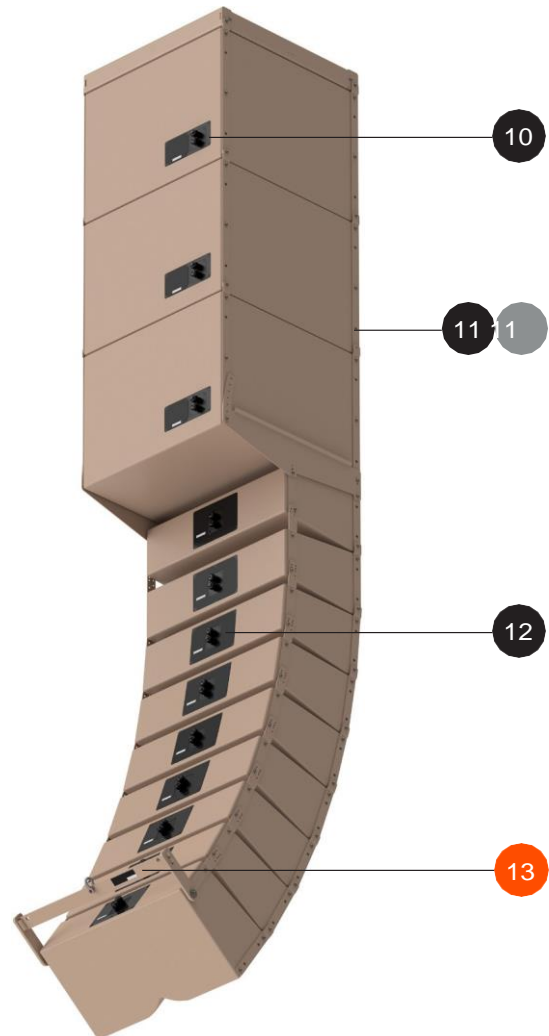
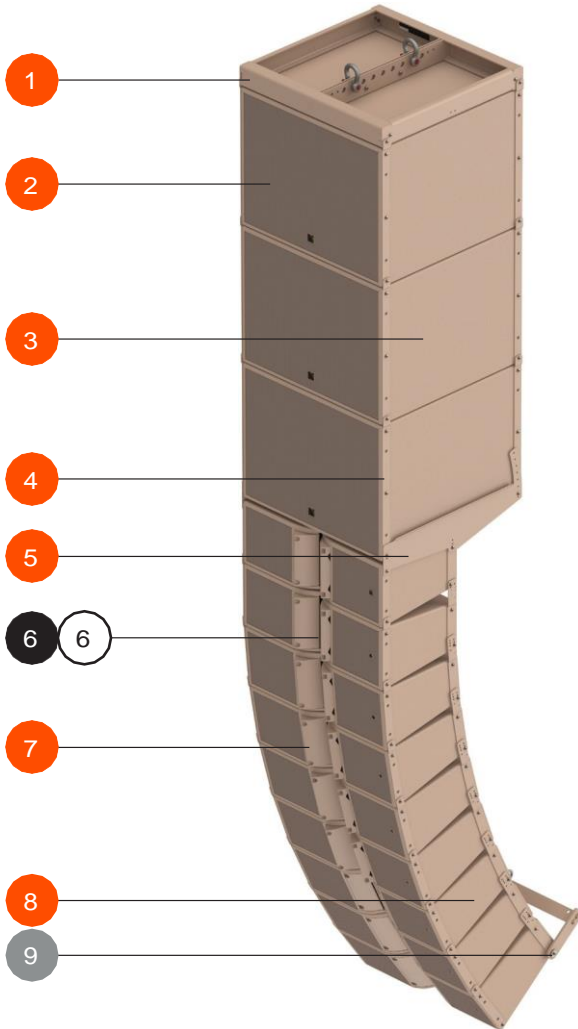
K SERIES - SB15m



- | | |
|-------------------------|-------------------------|
| 1 KIBU-SB | 6 SB15m screws |
| 2 SB15m Air net + grill | 7 SB15m Connectorpanel |
| 3 KIBU-SB screws | 9 SB15m non-skidinserts |
| 4 KIBU-SB coupling bar | 10 SB15m locking tab |
| 5 SB15m enclosure | |

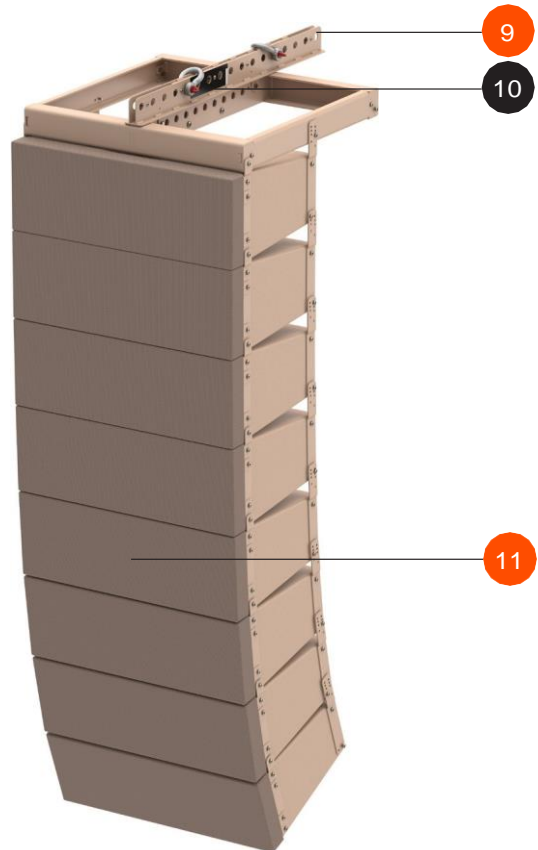
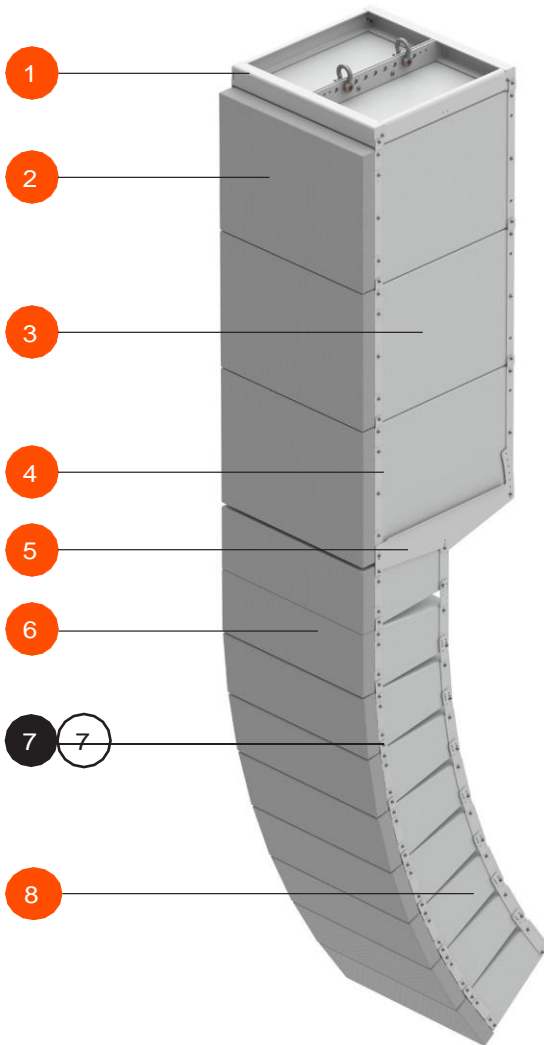
- WHITE OR RAL CLASSIC ●
- WHITE ○
- BLACK ●
- STAINLESS ●

K SERIES - KARA III / SB18 III



- | | |
|-------------------------------|-----------------------------|
| 1 KARAIII-BUMP | 8 KARA III enclosure |
| 2 SB18 III Air net + grill | 9 KARAIII-RIGBAR metal disc |
| 3 SB18 III enclosure | 10 SB18 III connector plate |
| 4 SB18 III and Kara III links | 11 Links screws |
| 5 KARAIII-TILT | 12 KARA III connector plate |
| 6 KARA III HF Air Net | 13 KARAIII-RIGBAR |
| 7 KARA III Panflex | |

- WHITE OR RAL CLASSIC ●
- WHITE ○
- BLACK ●
- STAINLESS ●

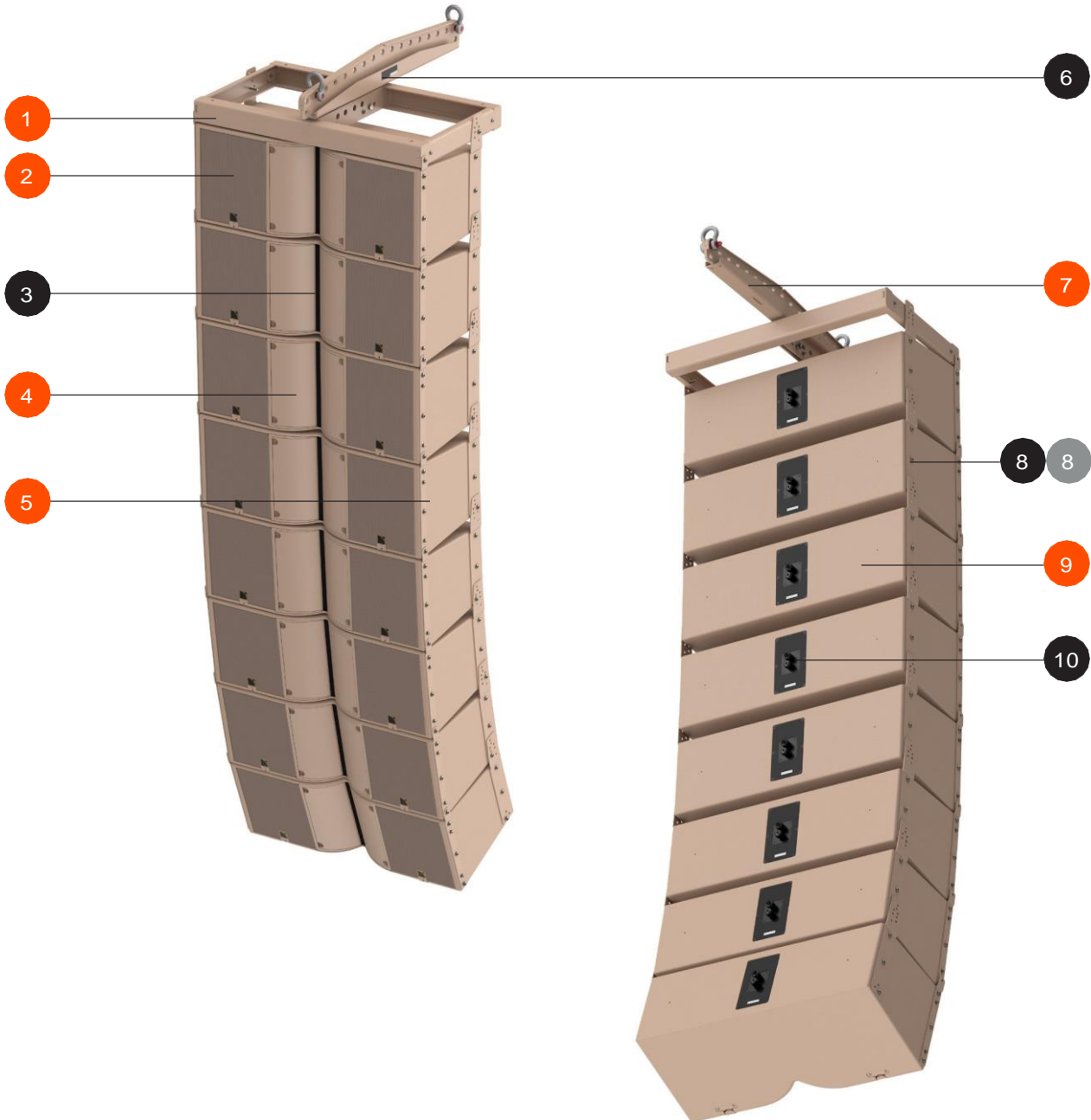


- 1 KARAIi-BUMP
- 2 SB18Ii-SCREEN
- 3 SB18 Ii enclosure
- 4 SB18 Ii and Kara Ii links
- 5 KARAIi-TILT
- 6 KARAIi-SCREEN

- 7 Links screws
- 8 KARA Ii enclosure
- 9 M-BARi
- 10 M-BARi label
- 11 KARAIi-SCREEN

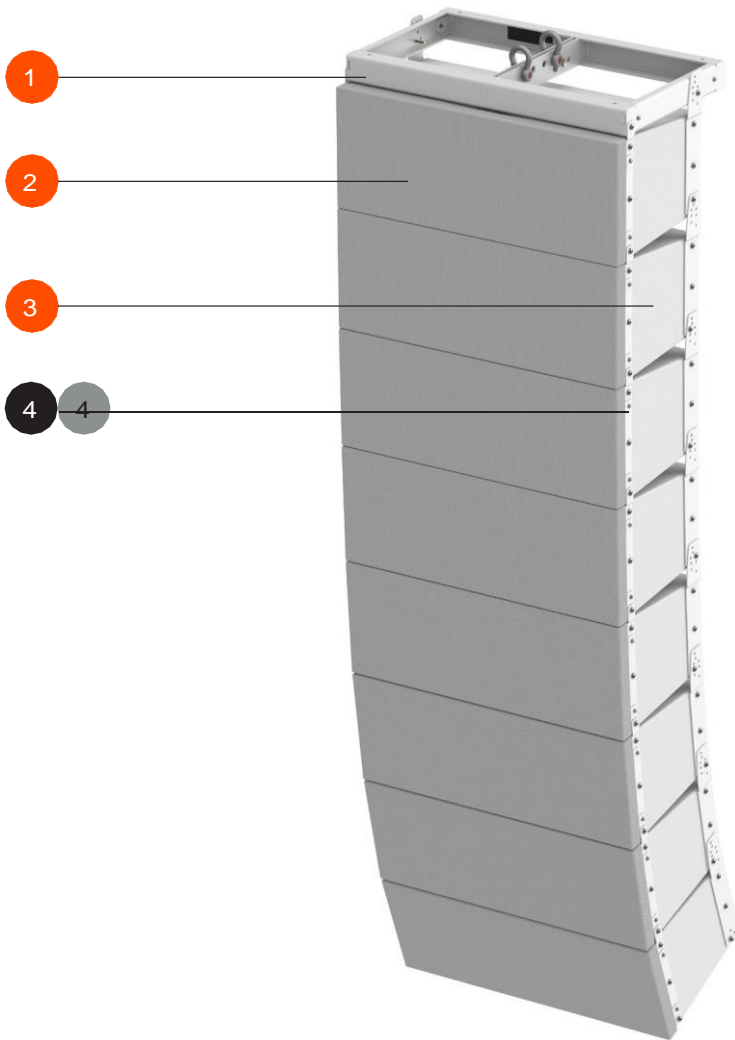
- WHITE OR RAL CLASSIC ●
- WHITE ○
- BLACK ●
- STAINLESS ●

K SERIES - K3i



- | | | | |
|---|---------------------|----|---------------------|
| 1 | K3i-BUMP | 8 | Links screws |
| 2 | K3i Air net + grill | 9 | K3i enclosure |
| 3 | K3i HF Air Net | 10 | K3i connector plate |
| 4 | K3i Panflex | | |
| 5 | K3i-LINK | | |
| 6 | K3i-LINK label | | |
| 7 | K3i-BAR | | |

- WHITE OR RAL CLASSIC ●
- WHITE ○
- BLACK ●
- STAINLESS ●



- 1 K3i-BUMP
- 2 K3i-SCREEN
- 3 K3i enclosure
- 4 K3i-SCREEN screws

- WHITE OR RAL CLASSIC ●
- WHITE ○
- BLACK ●
- STAINLESS ●



L-Acoustics

13 rue Levacher Cintrat - 91460 Marcoussis - France
+33 1 69 63 69 63 - info@l-acoustics.com

l-acoustics.com / l-isa-immersive.com / l-acoustics-creations.com